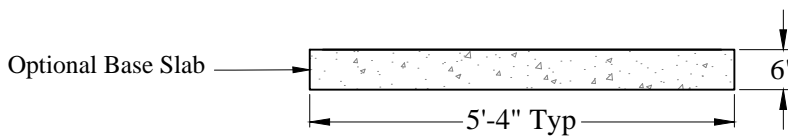
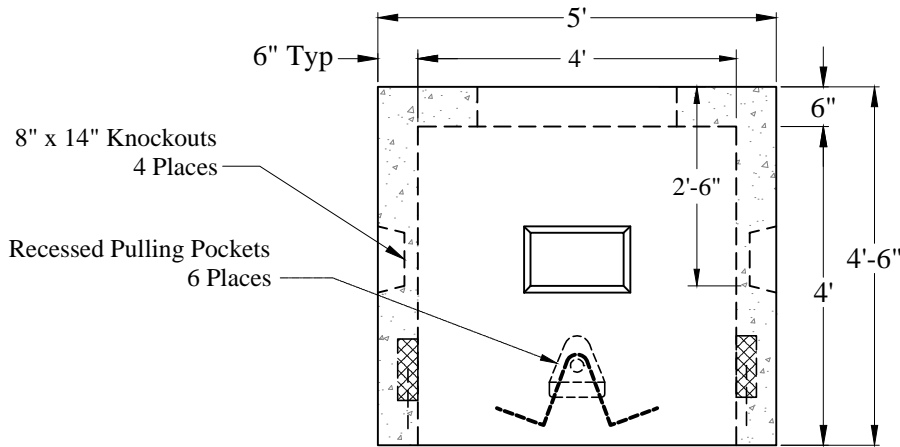
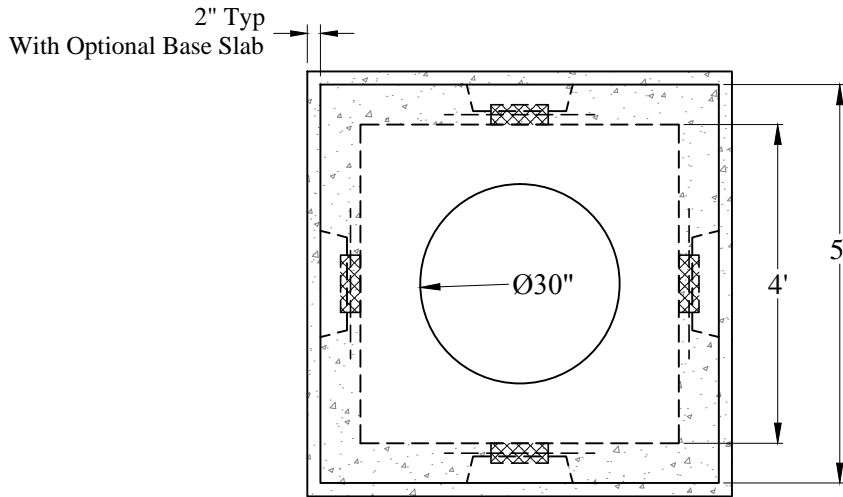


1-800-639-2199

Fax (603) 224-2927

Electrical/Central Maine Power/HD\_4' x 4' x 4'\_Handhole Siles



**Est Weights:**

Box:	6,840 Lbs
Base:	2,100 Lbs
Total:	8,940 Lbs

General Notes

1. Reinforcement Steel Conforms to:  
ASTM A615 Grade 60 or per CMP Specifications
2. Concrete:  $f_c = 5,000$  psi @ 28 Days Minimum
3. Meets All CMP Specifications
4. Base Slab is Optional

Phoenix  
Precast  
Products

Central Maine Power  
4' x 4' x 4'  
HD Handhole

P/N: CMP-HH

Concord, NH 03301

Phoenix Precast Products

Phoenix Precast Products